

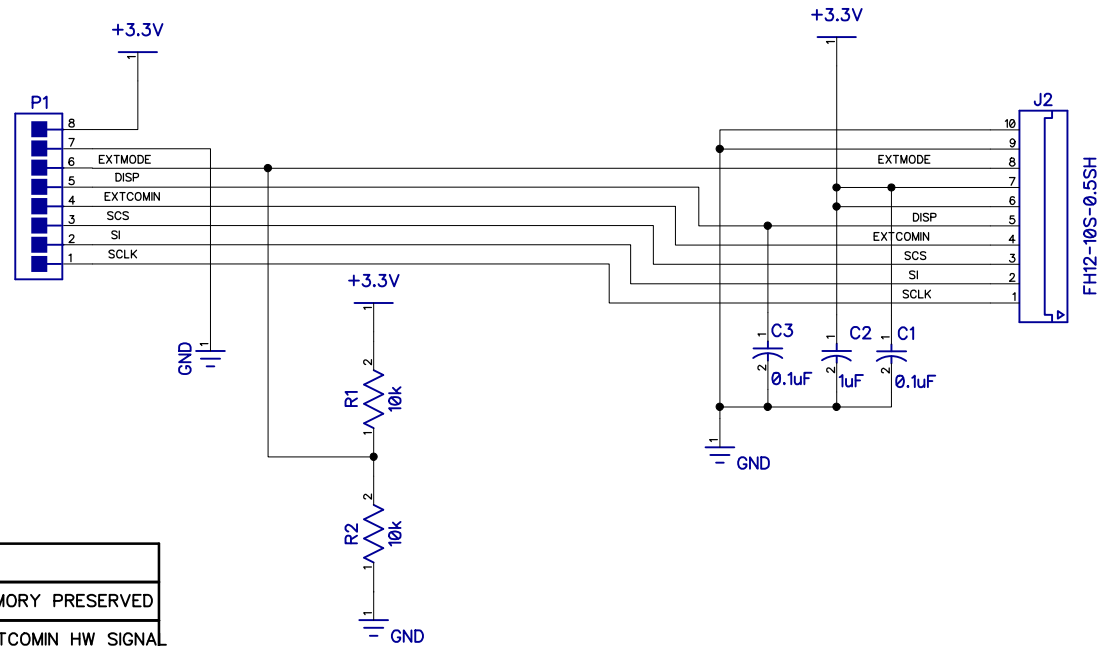
2

1

B

B

VCC=3.3V	Use LS013B4DN04
VCC=5V	Use LS013B4DN02
GPIO	Always 3.3V



DISP	H	IMAGE ON
DISP	L	IMAGE OFF, MEMORY PRESERVED
EXTMODE	H	VCOM USES EXTCOMIN HW SIGNAL
EXTMODE	L	VCOM USES SERIAL DATA



www.kuzyatech.com

SHARP LS013B4DN02 MEMORY LCD BREAKOUT

SIZE	FSCM NO.	DWG NO.	A1
DATE:		07/12/2012	Sheet 1

2

1

A

A